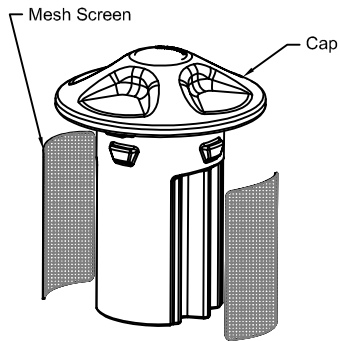
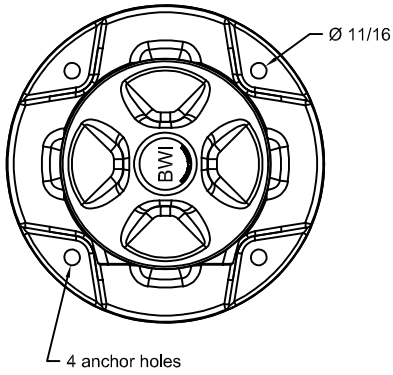
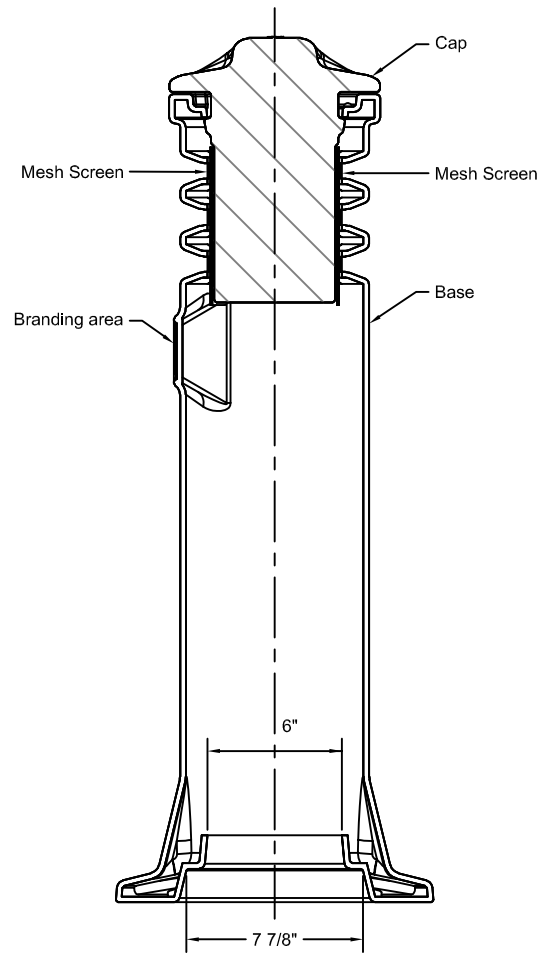
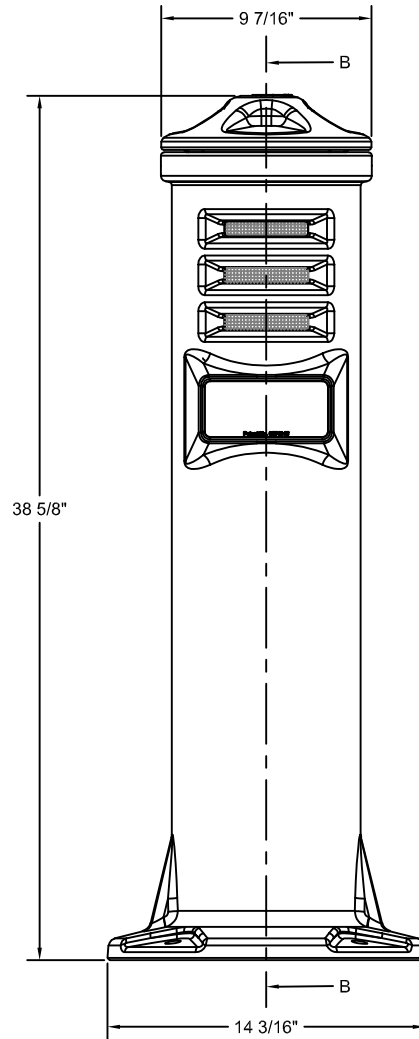


Blue Water Innovations  
 Description: Husky Street Vent  
 Properties: LLDPE  
 150 1B. Flange Bolthole Pattern  
 Quick Change Air Flow Control Cap.



24 Mesh Stainless Steel Screen  
 Thickness = .028"  
 Pattern (PWS) = 0.027"  
 Open Area = 44%



SECTION B-B

		DATE:
		DRAWING NO.
DRAWN BY: _____	APPROVED BY: CITY ENGINEER _____	